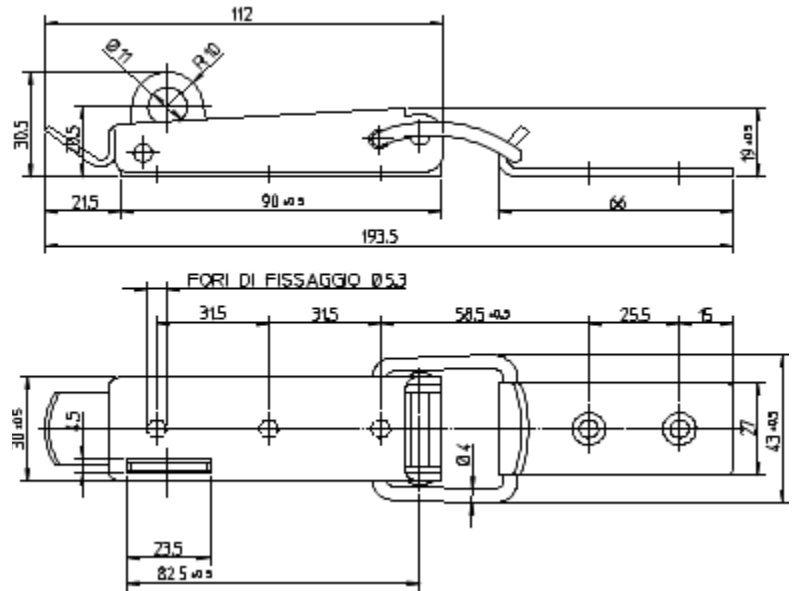


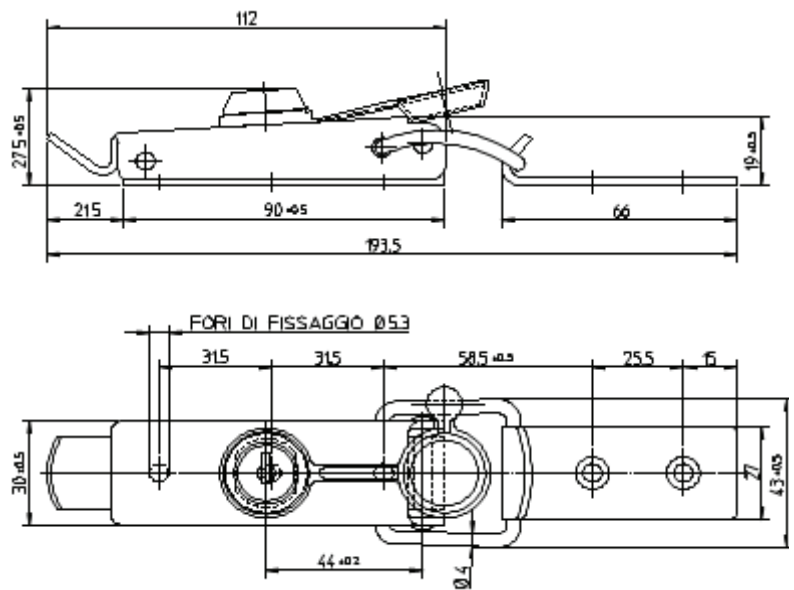


FRIGERIO ETTORE S.p.A.

ART. 2.00.01



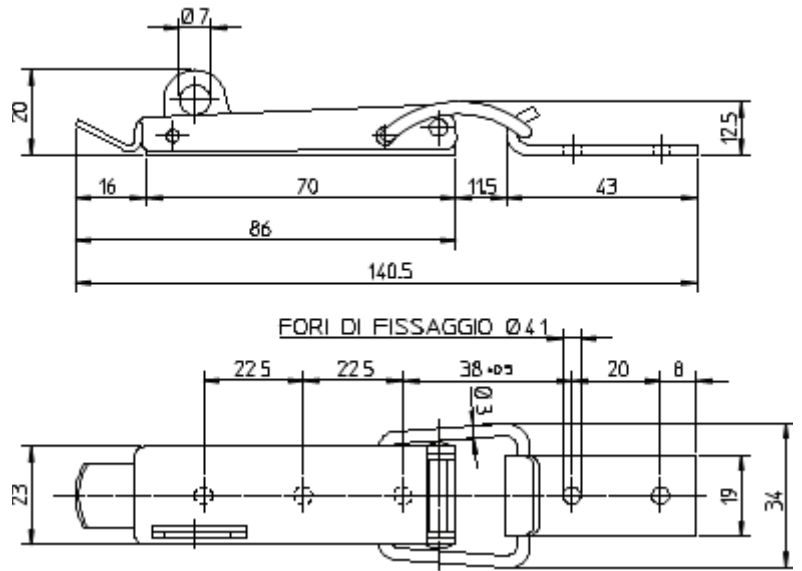
ART. 2.00.03



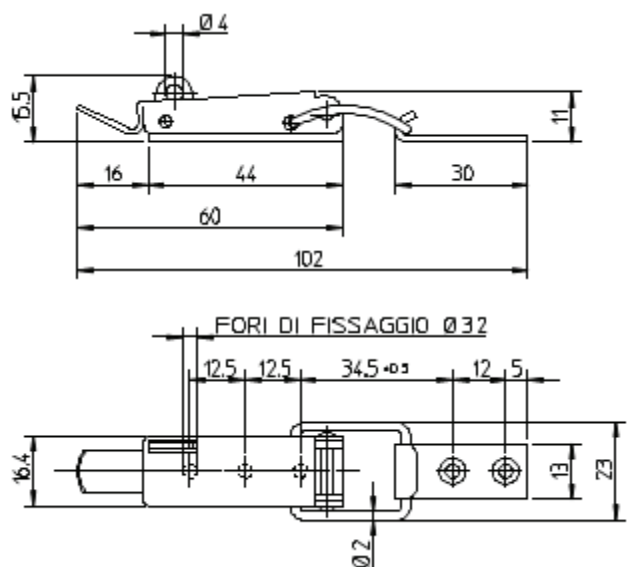


FRIGERIO ETTORE S.p.A.

ART. 2.01.01



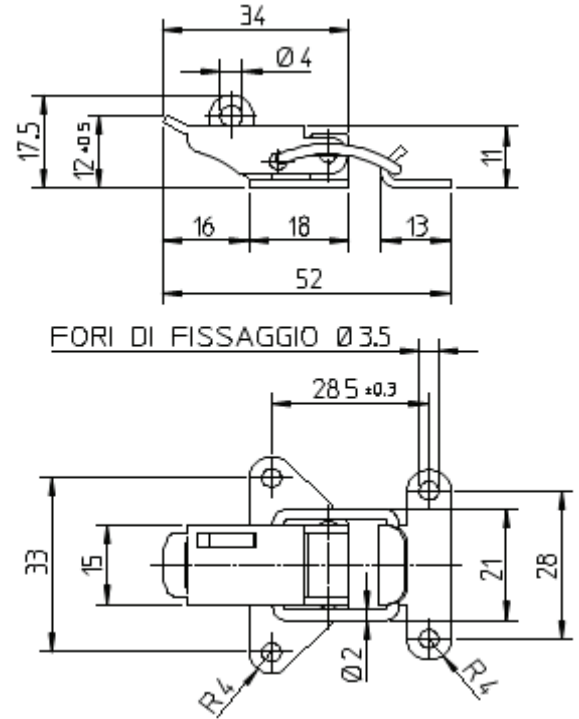
ART. 2.03.01



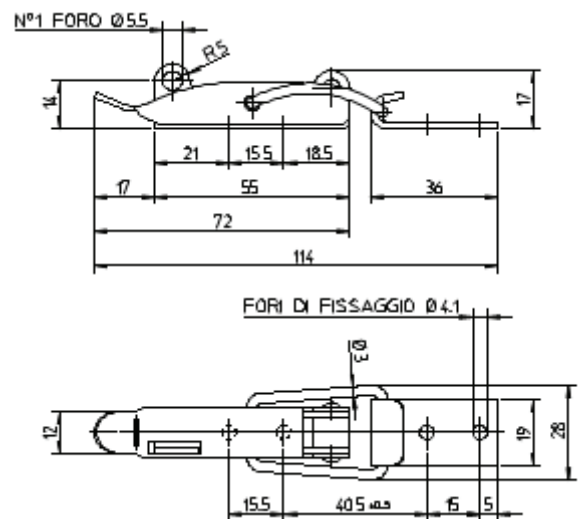


FRIGERIO ETTORE S.p.A.

ART. 2.04.01



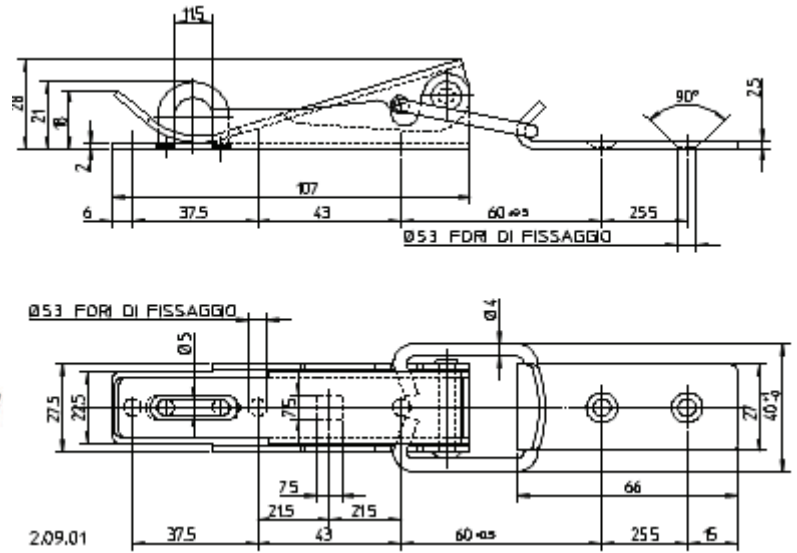
ART. 2.06.01



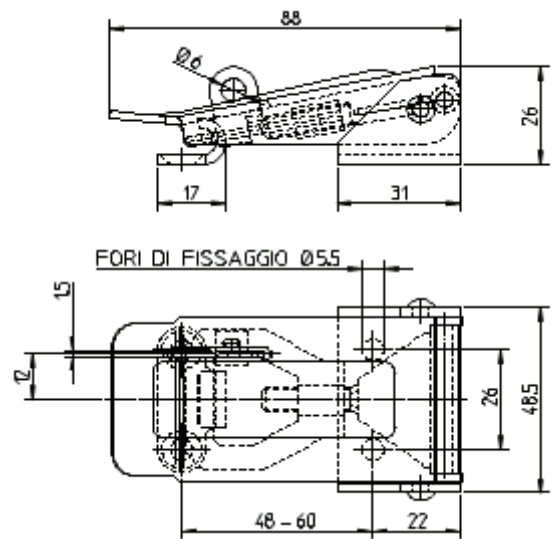


FRIGERIO ETTORE S.p.A.

ART. 2.09.01



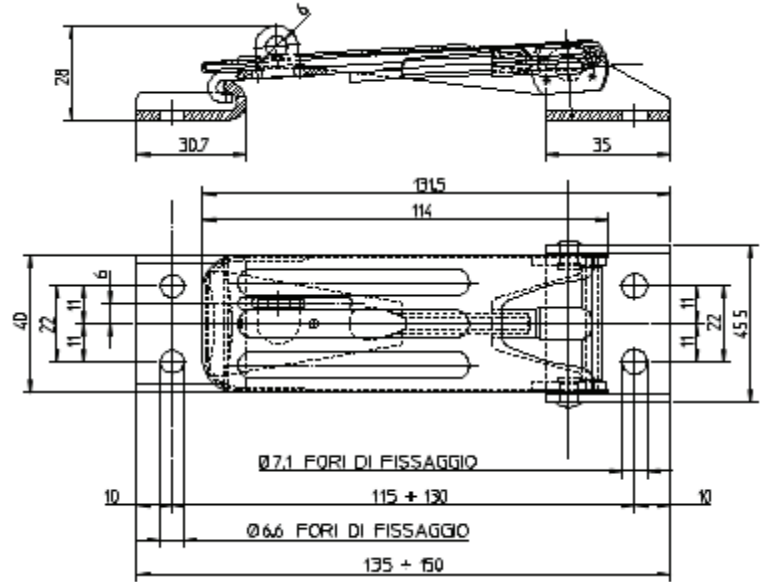
ART. 2.18.01



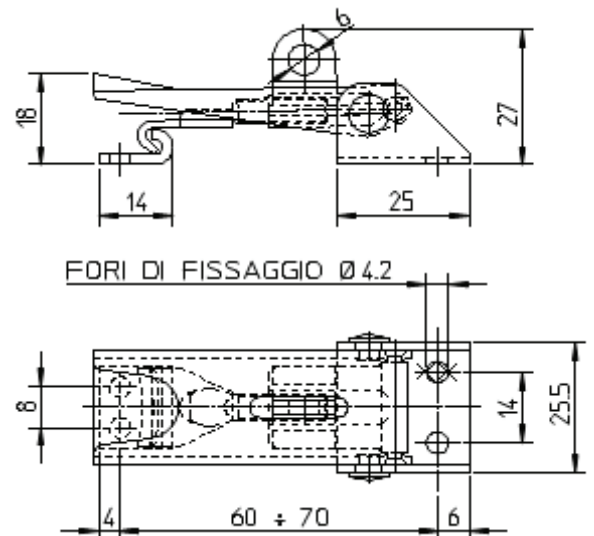


FRIGERIO ETTORE S.p.A.

ART. 2.40.01



ART. 2.18.01





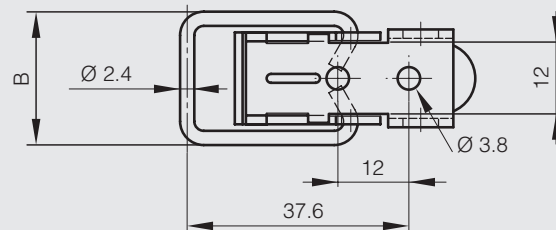
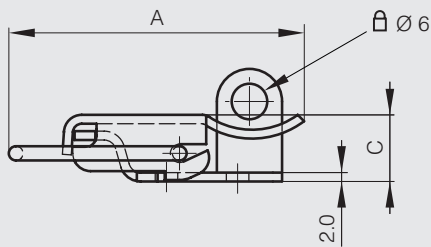
Toggle latches

Padlockable toggle latches - 49 mm

This latch is used with strike part number 16-7-3414.

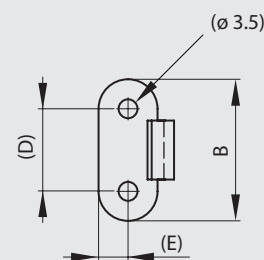
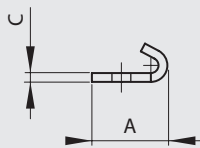


| Part number | Material | Finish | A | B | C | Weight (g) |
|-------------|----------|-------------|----|------|----|------------|
| 16-7-3394 | steel | zinc plated | 49 | 22.5 | 19 | 25 |



Strike for part number 16-7-3394

| Part number | Material | Finish | A | B | C | D | E | Note | Weight (g) |
|-------------|----------|-------------|------|----|-----|----|---|---------|------------|
| 16-7-3414 | steel | zinc plated | 13.7 | 24 | 1.5 | 14 | 5 | drilled | 3.5 |





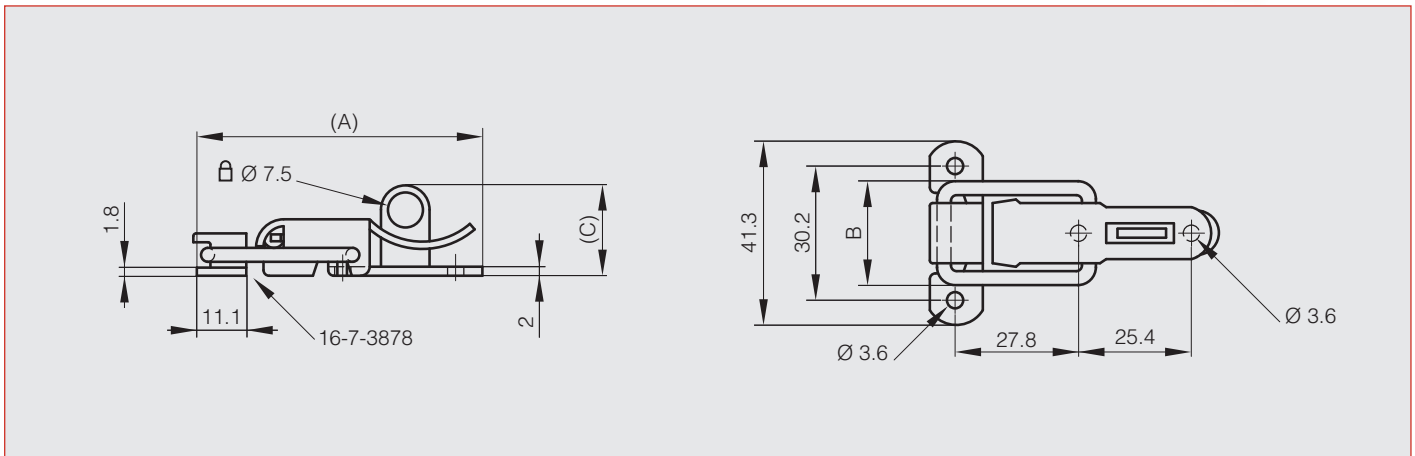
Toggle latches

Padlockable toggle latch without strike - 65 mm

This latch is used with strike part number 16-7-3878.



| Part number | Material | Finish | A | B | C | Weight (g) |
|-------------|----------|-------------|----|------|------|------------|
| 16-7-3879 | steel | zinc plated | 65 | 23.4 | 20.3 | 36 |



Strike for part number 16-7-3879



| Part number | Material | Finish | Weight (g) |
|-------------|----------|-------------|------------|
| 16-7-3878 | steel | zinc plated | 4.5 |



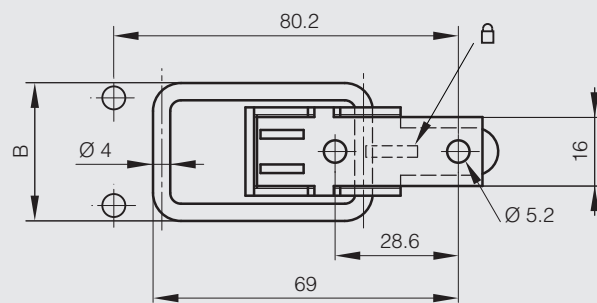
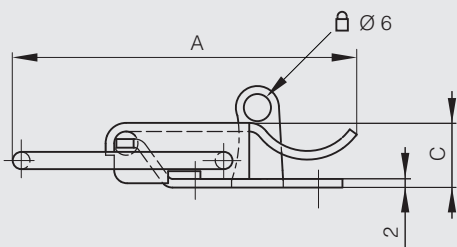
Toggle latches

Padlockable toggle latches - 80.2 mm

These latches are used with strike part numbers 16-7-3729 and 16-7-3730.

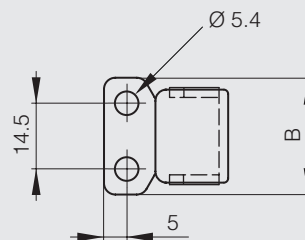
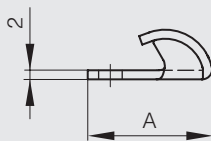


| Part number | Material | Finish | A | B | C | Note | Weight (g) |
|-------------|---------------------|-------------|------|----|------|---------|------------|
| 16-7-3723 | steel | zinc plated | 80.2 | 32 | 23.5 | drilled | 55 |
| 16-7-3724 | 304 stainless steel | raw | 80.2 | 32 | 23.5 | drilled | 55 |



Strikes for part numbers 16-7-3723 and 16-7-3724

| Part number | Material | Finish | A | B | Note | Weight (g) |
|-------------|---------------------|-------------|------|----|---------|------------|
| 16-7-3729 | steel | zinc plated | 27.4 | 26 | drilled | 10 |
| 16-7-3730 | 304 stainless steel | raw | 27.4 | 26 | drilled | 10 |





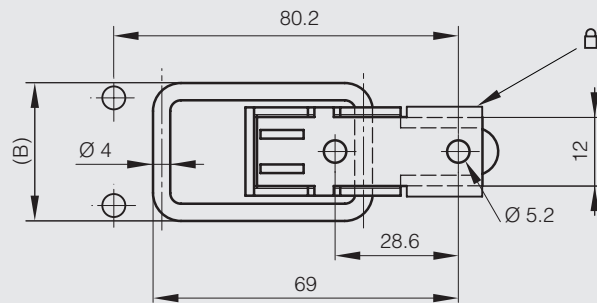
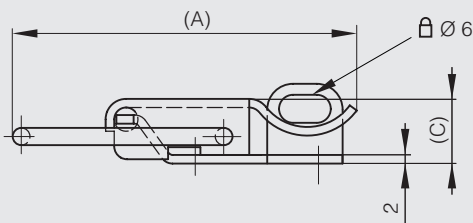
Toggle latches

Padlockable toggle latches - 80.5 mm

These latches are used with strike part numbers 16-7-3415.

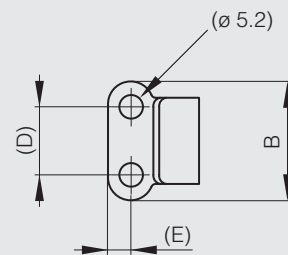
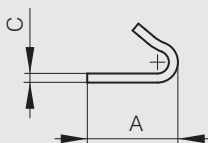


| Part number | Material | Finish | A | B | C | Note | Weight (g) |
|-------------|----------|-------------|------|----|------|---------|------------|
| 16-7-3397 | steel | raw | 80.5 | 32 | 18.5 | drilled | 58.5 |
| 16-7-3395 | steel | zinc plated | 80.5 | 32 | 15 | drilled | 58.5 |



Strike for part numbers 16-7-3395 and 16-7-3397

| Part number | Material | Finish | A | B | C | D | E | Note | Weight (g) |
|-------------|----------|-------------|----|------|---|----|-----|---------|------------|
| 16-7-3415 | steel | zinc plated | 20 | 26.2 | 2 | 15 | 5.1 | drilled | 9 |





Latching systems

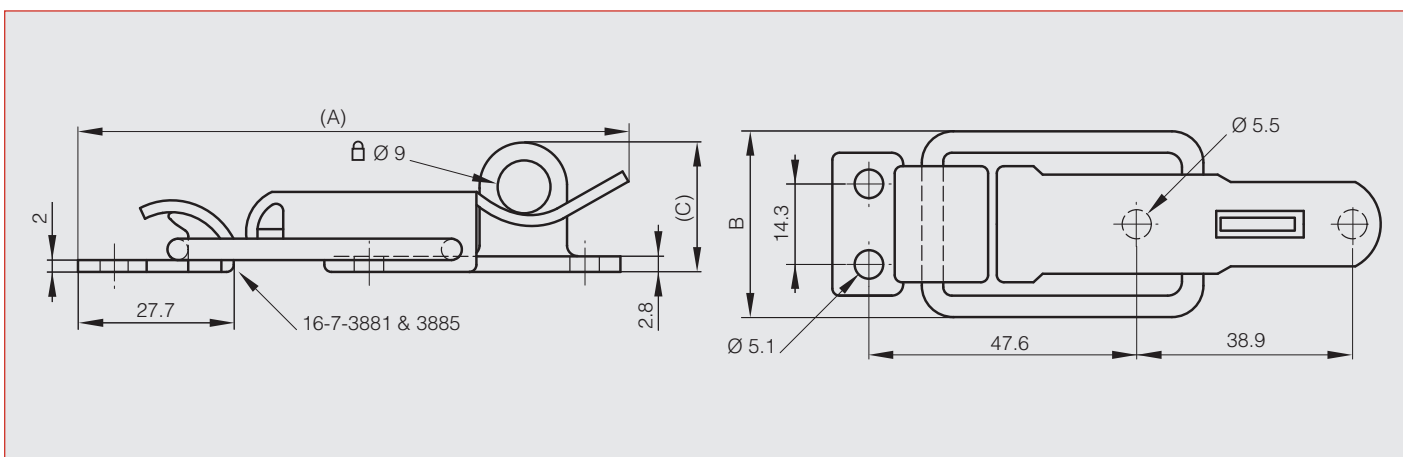
Toggle latches

Padlockable toggle latches - 97.6 mm

These latches are used with strike part numbers 16-7-3881 and 16-7-3885.



| Part number | Material | Finish | A | B | C | Weight (g) |
|-------------|---------------------|-------------|------|----|------|------------|
| 16-7-3883 | steel | zinc plated | 97.6 | 33 | 23.1 | 68 |
| 16-7-3884 | 304 stainless steel | raw | 97.5 | 33 | 23.1 | 68 |



Strikes for part numbers 16-7-3883 and 16-7-3884

| Part number | Material | Finish | Weight (g) |
|-------------|---------------------|-------------|------------|
| 16-7-3881 | steel | zinc plated | 9 |
| 16-7-3885 | 304 stainless steel | raw | 9 |





Latching systems

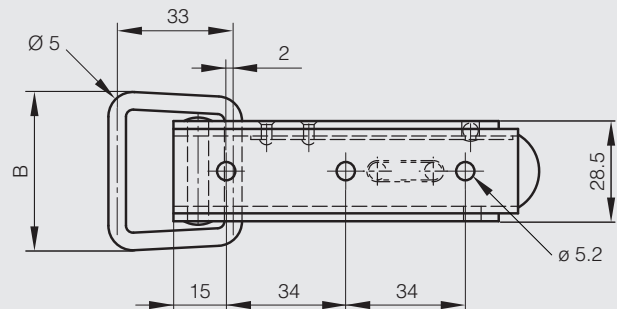
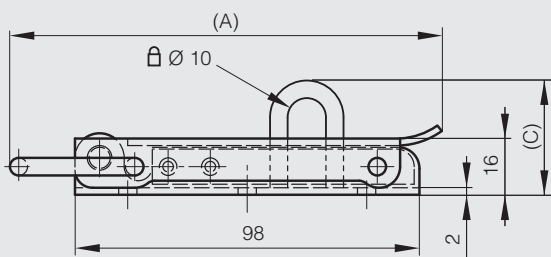
Toggle latches

Padlockable toggle latches - 122 mm

This latch is used with strike part number 16-7-3551.

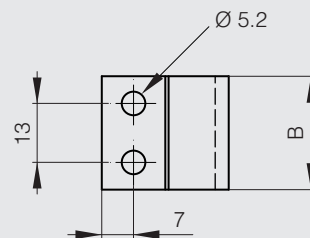
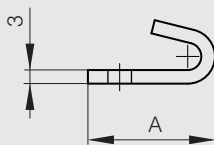


| Part number | Material | Finish | A | B | C | Weight (g) |
|-------------|----------|-------------|-----|----|------|------------|
| 16-7-3664 | steel | zinc plated | 122 | 45 | 32.5 | 176 |



Strike for part number 16-7-3664

| Part number | Material | Finish | A | B | Weight (g) |
|-------------|----------|-------------|----|----|------------|
| 16-7-3551 | steel | zinc plated | 28 | 25 | 24 |





Latching systems

Toggle latches

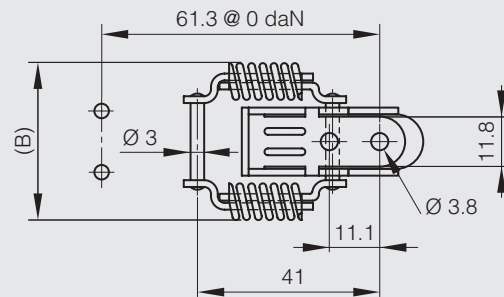
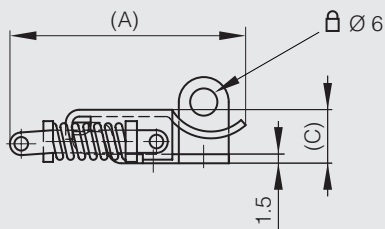
Spring loaded and padlockable toggle latches - 52 mm

Dimension A (52 mm) without tension. Dimension A can be extended up to 3 mm putting the latch under tension.

These latches are used with strike part numbers 16-7-3738, 16-7-3739, 16-7-3741 and 16-7-3742.

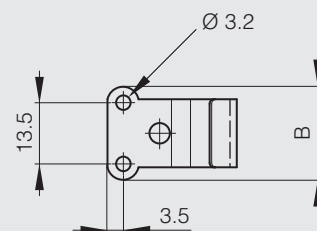
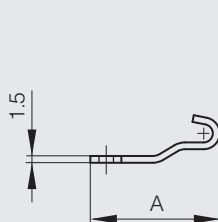


| Part number | Material | Finish | A | B | C | Weight (g) |
|-------------|---------------------|-------------|------|------|----|------------|
| 16-7-3759 | steel | zinc plated | 55.5 | 34.5 | 12 | 32 |
| 16-7-3760 | 304 stainless steel | raw | 55.5 | 34.5 | 12 | 32 |



Strikes for part numbers 16-7-3759 and 16-7-3760

| Part number | Material | Finish | A | B | Note | Weight (g) |
|-------------|---------------------|-------------|------|------|-----------|------------|
| 16-7-3741 | steel | zinc plated | 28.5 | 20.5 | drilled | 3.5 |
| 16-7-3739 | 304 stainless steel | raw | 28.5 | 20.5 | undrilled | 3.5 |
| 16-7-3742 | 304 stainless steel | raw | 28.5 | 20.5 | drilled | 3.5 |





Toggle latches

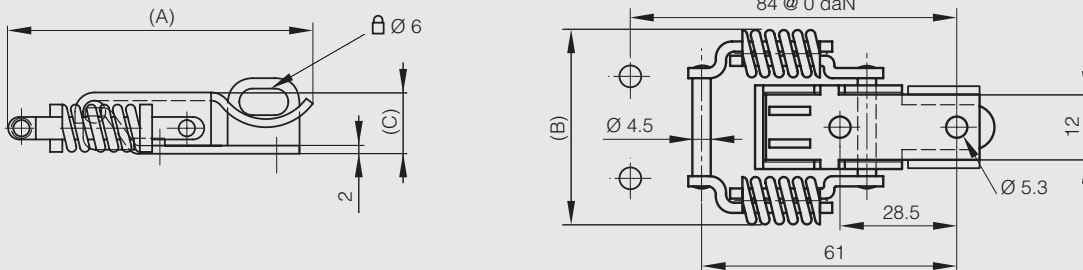
Spring loaded and padlockable toggle latches - 74 mm

Dimension A (74 mm) without tension. Dimension A can be extended up to 4 mm putting the latch under tension.

These latches are used with strike part numbers 16-7-3751, 16-7-3753 and 16-7-3754.

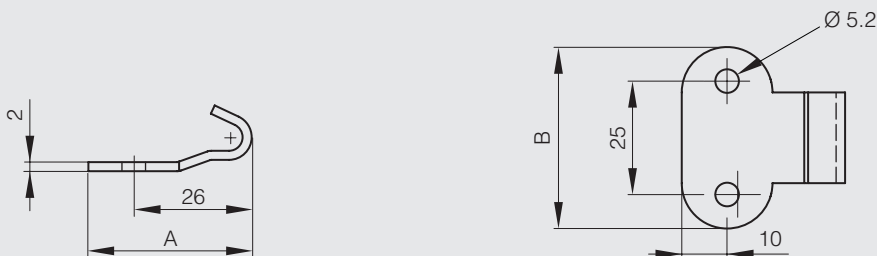


| Part number | Material | Finish | A | B | C | Weight (g) |
|-------------|---------------------|-------------|----|------|----|------------|
| 16-7-3765 | steel | zinc plated | 74 | 46.5 | 15 | 75 |
| 16-7-3766 | 304 stainless steel | raw | 74 | 46.5 | 15 | 75 |



Strikes for part numbers 16-7-3765 and 16-7-3766

| Part number | Material | Finish | A | B | Note | Weight (g) |
|-------------|---------------------|-------------|----|----|-----------|------------|
| 16-7-3753 | steel | zinc plated | 36 | 40 | drilled | 20 |
| 16-7-3751 | 304 stainless steel | raw | 36 | 40 | undrilled | 20 |
| 16-7-3754 | 304 stainless steel | raw | 36 | 40 | drilled | 20 |





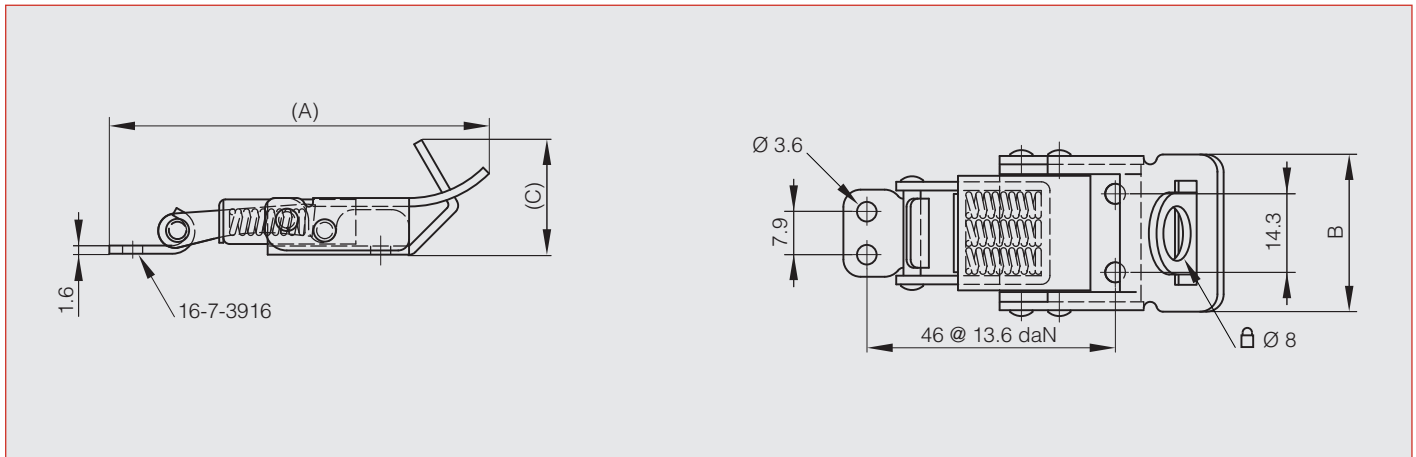
Toggle latches

Spring loaded and padlockable toggle latch - 70.9 mm

This latch is used with strike part number 16-7-3916.



| Part number | Material | Finish | A | B | C | Weight (g) |
|-------------|---------------------|--------|------|------|------|------------|
| 16-7-3917 | 304 stainless steel | raw | 70.9 | 28.7 | 23.1 | 50 |



Strike for part number 16-7-3917

| Part number | Material | Finish | Weight (g) |
|-------------|---------------------|--------|------------|
| 16-7-3916 | 304 stainless steel | raw | 4.5 |



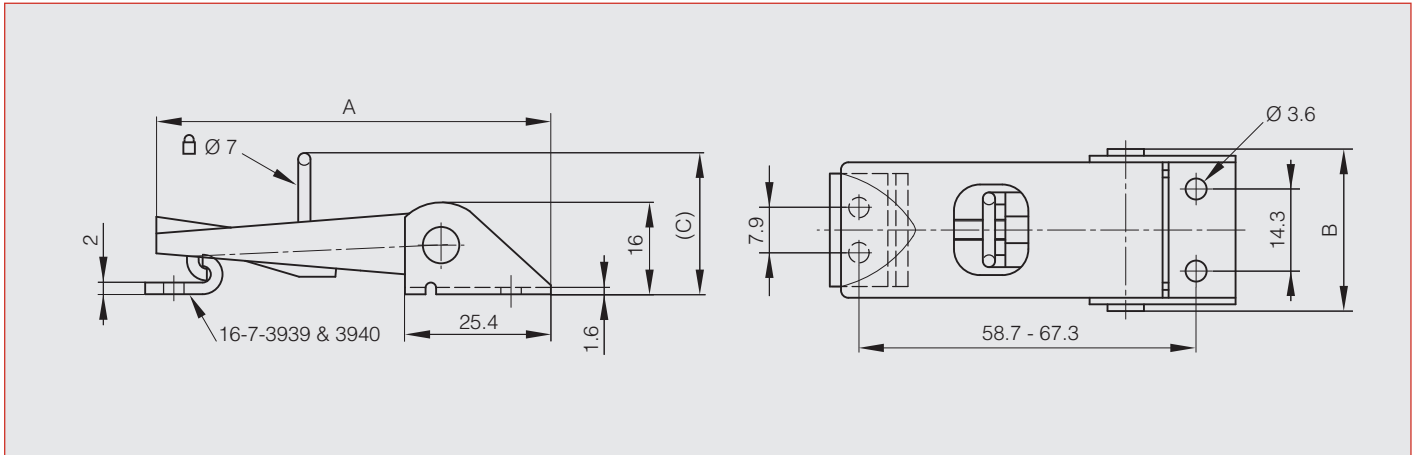


Toggle latches

Adjustable toggle latches - padlockable - 70.6 mm

This latch is used with strike part numbers 16-7-3939 and 16-7-3940.

| Part number | Material | Finish | A | B | C | Weight (g) |
|-------------|---------------------|--------|------|------|----|------------|
| 16-7-3938 | 304 stainless steel | raw | 70.6 | 28.2 | 16 | 50 |



Strikes for part number 16-7-3938

Strikes for part numbers 16-7-3938

| Part number | Material | Finish | Weight (g) |
|-------------|---------------------|-------------|------------|
| 16-7-3939 | steel | zinc plated | 4.5 |
| 16-7-3940 | 304 stainless steel | raw | 4.5 |





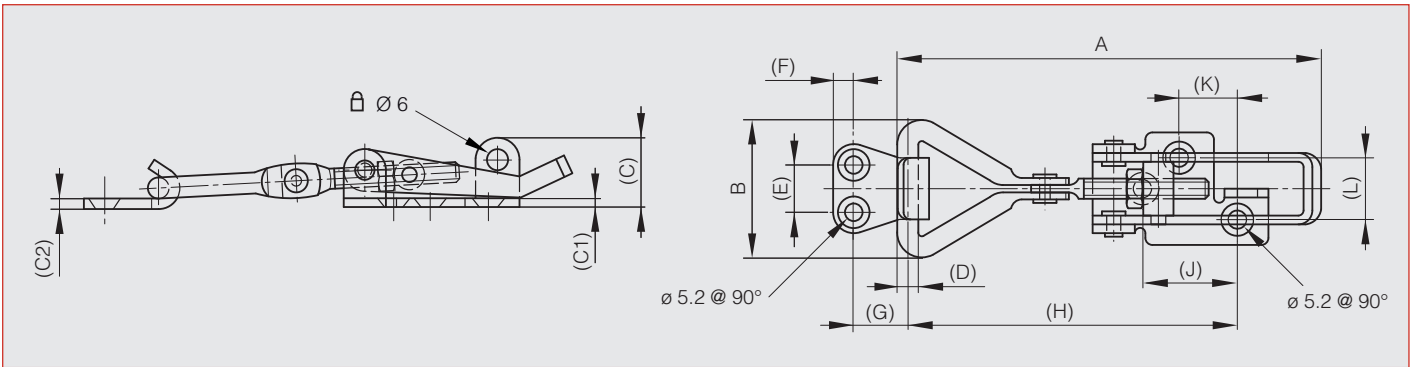
Latching systems

Toggle latches

Adjustable toggle latches with strike - padlockable - 82 mm to 117 mm



| Part number | Material | Finish | A | B | C | C1 | C2 | D | E | F | G | H | J | K | L | Note | Weight (g) |
|-------------|---------------------|-------------|-----|----|----|-----|-----|---|----|-----|----|-------|----|----|----|-----------|------------|
| 16-7-4018 | steel | zinc plated | 82 | 27 | 19 | 2 | 2 | 4 | 14 | 5 | 10 | 62-72 | 22 | 11 | 14 | 82<A<92 | 48 |
| 16-7-4020 | steel | zinc plated | 108 | 34 | 18 | 2.5 | 3 | 5 | 17 | 6.5 | 10 | 85-96 | 27 | 16 | 18 | 108<A<119 | 102 |
| 16-7-4021 | steel | zinc plated | 118 | 39 | 22 | 3 | 2.5 | 6 | 20 | 6.5 | 18 | 85-96 | 33 | 15 | 20 | 118<A<129 | 124 |
| 16-7-4025 | 304 stainless steel | raw | 82 | 27 | 19 | 2 | 2 | 4 | 14 | 5 | 10 | 62-72 | 22 | 11 | 14 | 82<A<92 | 48 |
| 16-7-4027 | 304 stainless steel | raw | 108 | 34 | 18 | 2.5 | 3 | 5 | 17 | 6.5 | 10 | 85-96 | 27 | 16 | 18 | 108<A<119 | 102 |
| 16-7-4028 | 304 stainless steel | raw | 118 | 39 | 22 | 3 | 2.5 | 6 | 20 | 6.5 | 18 | 85-96 | 33 | 15 | 20 | 118<A<129 | 124 |



Adjustable toggle latches with strike - padlockable - 174 mm



| Part number | Material | Finish | A | B | C | Note | Weight (g) |
|-------------|---------------------|-------------|-----|----|----|-----------|------------|
| 16-7-4023 | steel | zinc plated | 174 | 50 | 27 | 174<A<186 | 236 |
| 16-7-4030 | 304 stainless steel | raw | 174 | 50 | 27 | 174<A<186 | 236 |

